

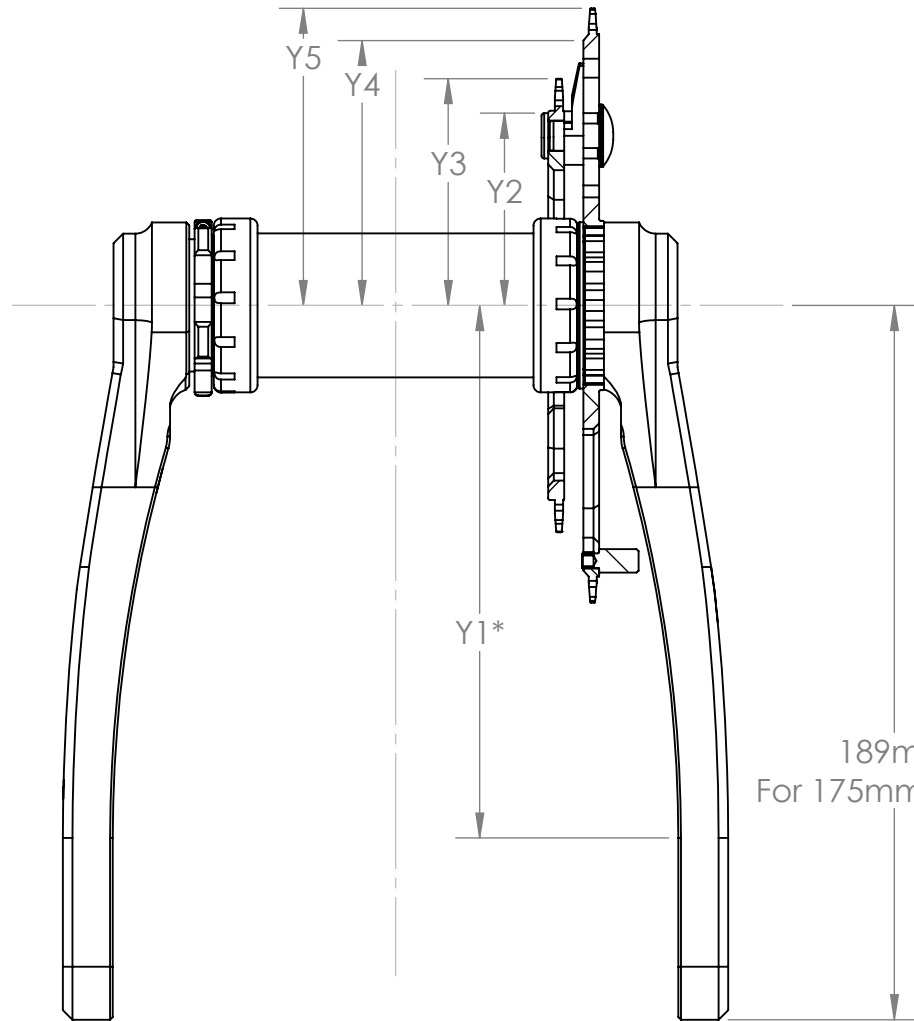
	M30	G30	R30
X1	88mm	85.5mm	79.25mm
X2	74.8mm	72.3mm	66mm
X3	38.6mm	36.1mm	36.1mm
X4	42.15mm	39.65mm	39.65mm
X5	49.7mm	47.2mm	47.2mm
X6	51.1mm	48.6mm	48.6mm
X6	71.9mm	69.4mm	63.8mm

UNLESS OTHERWISE SPECIFIED:	NAME	DATE
DIMENSIONS ARE IN INCHES TOLERANCES: ANGULAR: MACH ±.01 BEND ±.5 TWO PLACE DECIMAL ±.01 THREE PLACE DECIMAL ±.002 FOUR PLACE DECIMAL ±.0005	DRAWN	
	CHECKED	
	ENG APPR.	
	MFG APPR.	
INTERPRET GEOMETRIC TOLERANCING PER:	Q.A.	
MATERIAL \$PRP:	COMMENTS:	
FINISH		
DO NOT SCALE DRAWING		

White Industries
 1325 Ross St Petaluma CA 94954
 Info@whiteind.com
 P:(707) 769-5600 F:(707) 769-5511

DWG. NO. A	MR30 Crank Assembly	REV 1
	SCALE: 1:2	WEIGHT:

PROPRIETARY AND CONFIDENTIAL
 THE INFORMATION CONTAINED IN THIS DRAWING IS THE SOLE PROPERTY OF WHITE INDUSTRIES. ANY REPRODUCTION IN PART OR AS A WHOLE WITHOUT THE WRITTEN PERMISSION OF WHITE INDUSTRIES IS PROHIBITED.



	M30	G30	R30
Y1	140.9mm	140.9mm	140.9mm

Inner	Y2	Y3	Outer	Y4	Y5
38	71.3mm	78.9mm	52	98.5mm	107.1mm
36	67.2mm	74.8mm	50	94.5mm	103.1mm
34	63mm	70.8mm	48	90.3mm	99.2mm
32	59mm	66.7mm	46	86.3mm	95mm
30	55mm	62.7mm	44	82.3mm	91mm
28	51mm	58.7mm	42	78.3mm	87mm
26	47mm	54.6mm	40	74.2mm	82.5mm
24	43mm	50.4mm	38	70.1mm	78.9mm

*Doesn't change with arm length

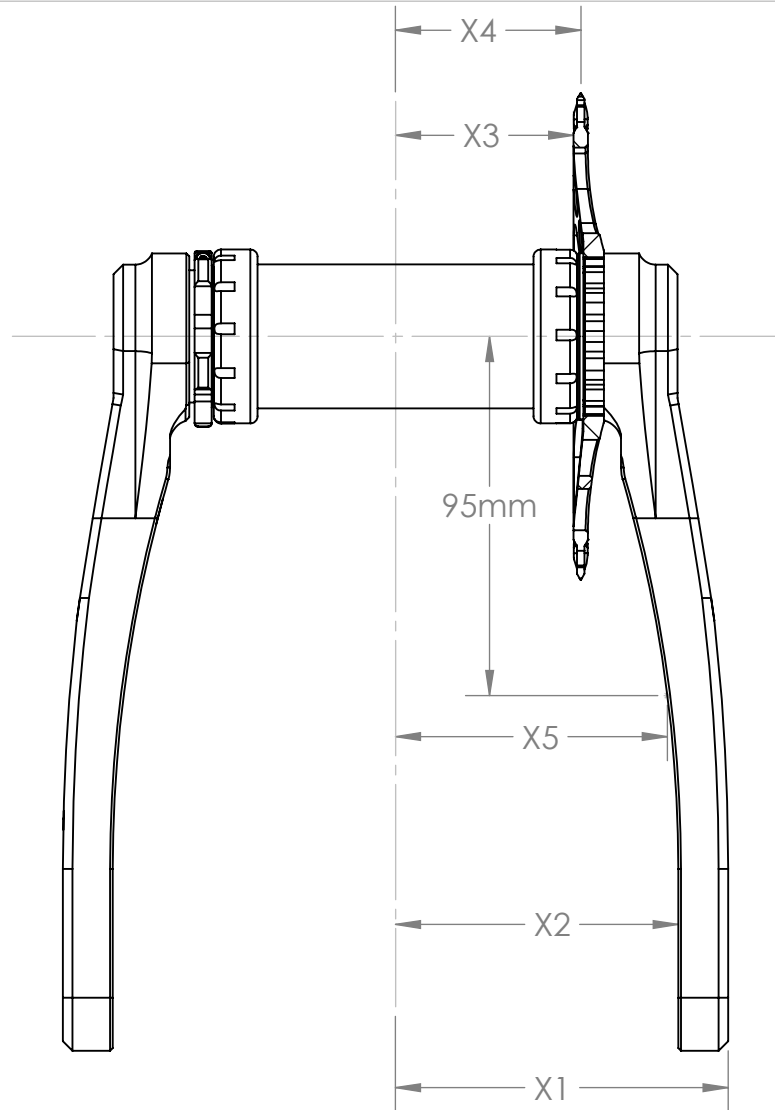
PROPRIETARY AND CONFIDENTIAL
 THE INFORMATION CONTAINED IN THIS DRAWING IS THE SOLE PROPERTY OF WHITE INDUSTRIES. ANY REPRODUCTION IN PART OR AS A WHOLE WITHOUT THE WRITTEN PERMISSION OF WHITE INDUSTRIES IS PROHIBITED.

UNLESS OTHERWISE SPECIFIED:	NAME	DATE
DIMENSIONS ARE IN INCHES	DRAWN	
TOLERANCES:	CHECKED	
ANGULAR: MACH ±.01 BEND ±.5	ENG APPR.	
TWO PLACE DECIMAL ±.01	MFG APPR.	
THREE PLACE DECIMAL ±.002		
FOUR PLACE DECIMAL ±.0005		
INTERPRET GEOMETRIC TOLERANCING PER:	Q.A.	
MATERIAL	COMMENTS:	
\$PRP:		
FINISH		
DO NOT SCALE DRAWING		

White Industries
 1325 Ross St Petaluma CA 94954
 Info@whiteind.com
 P:(707) 769-5600 F:(707) 769-5511

DWG. NO.	REV
MR30 Crank Assembly	1

SCALE: 1:2 WEIGHT: SHEET 2 OF 6



	M30	G30	R30
X1	88mm	85.5mm	79.25mm
X2	74.8mm	72.3mm	66mm
X3	47.1mm	44.6mm	44.6mm
X4	49mm	46.5mm	46.5mm
X5	71.9mm	69.4mm	63.8mm

UNLESS OTHERWISE SPECIFIED:

DIMENSIONS ARE IN INCHES
 TOLERANCES:
 ANGULAR: MACH ±.01 BEND ±.5
 TWO PLACE DECIMAL ±.01
 THREE PLACE DECIMAL ±.002
 FOUR PLACE DECIMAL ±.0005

INTERPRET GEOMETRIC
 TOLERANCING PER:

MATERIAL
 \$PRP:

FINISH

DO NOT SCALE DRAWING

NAME

DATE

DRAWN

CHECKED

ENG APPR.

MFG APPR.

Q.A.

COMMENTS:

White Industries

1325 Ross St Petaluma CA 94954

Info@whiteind.com

P:(707) 769-5600 F:(707) 769-5511

DWG. NO.

REV

SIZE
A

MR30 Crank Assembly

1

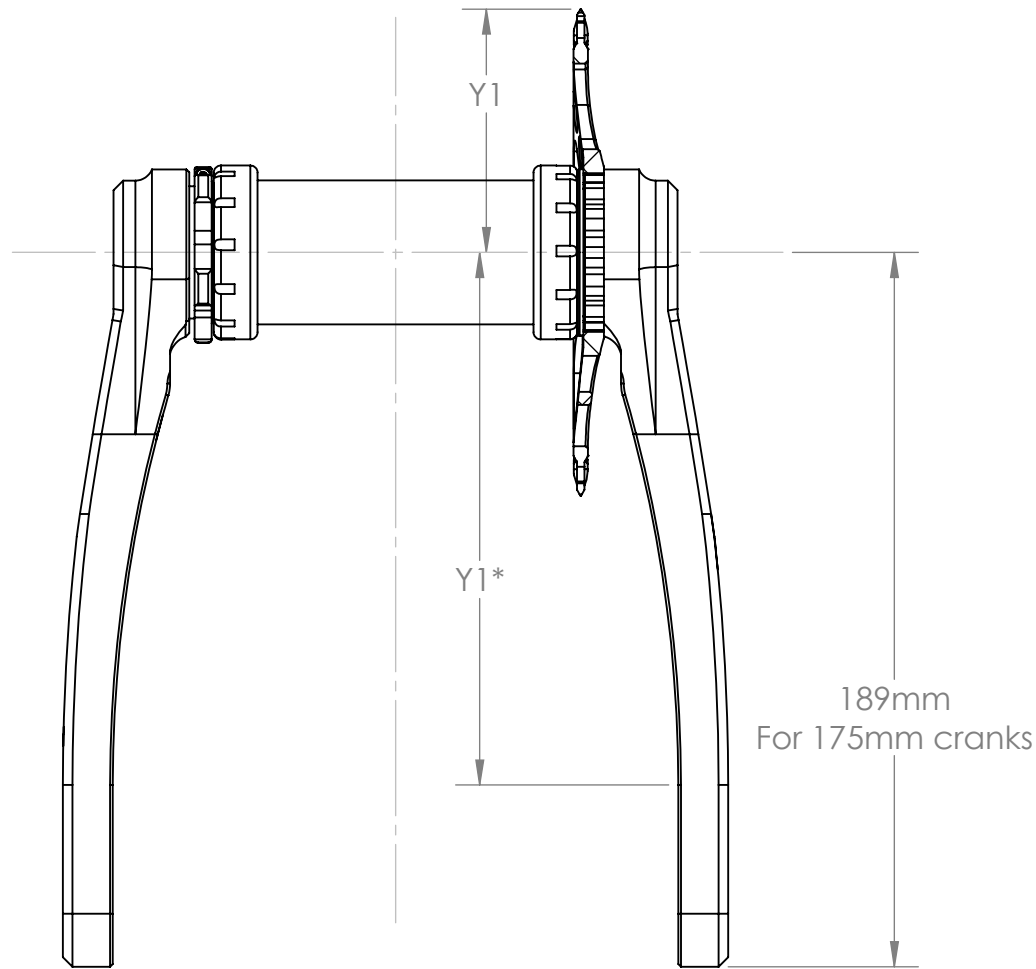
SCALE: 1:2

WEIGHT:

SHEET 3 OF 6

PROPRIETARY AND CONFIDENTIAL
 THE INFORMATION CONTAINED IN THIS
 DRAWING IS THE SOLE PROPERTY OF
 WHITE INDUSTRIES. ANY REPRODUCTION
 IN PART OR AS A WHOLE WITHOUT THE
 WRITTEN PERMISSION OF WHITE INDUSTRIES
 IS PROHIBITED.

	M30	G30	R30
Y1	140.9mm	140.9mm	140.9mm

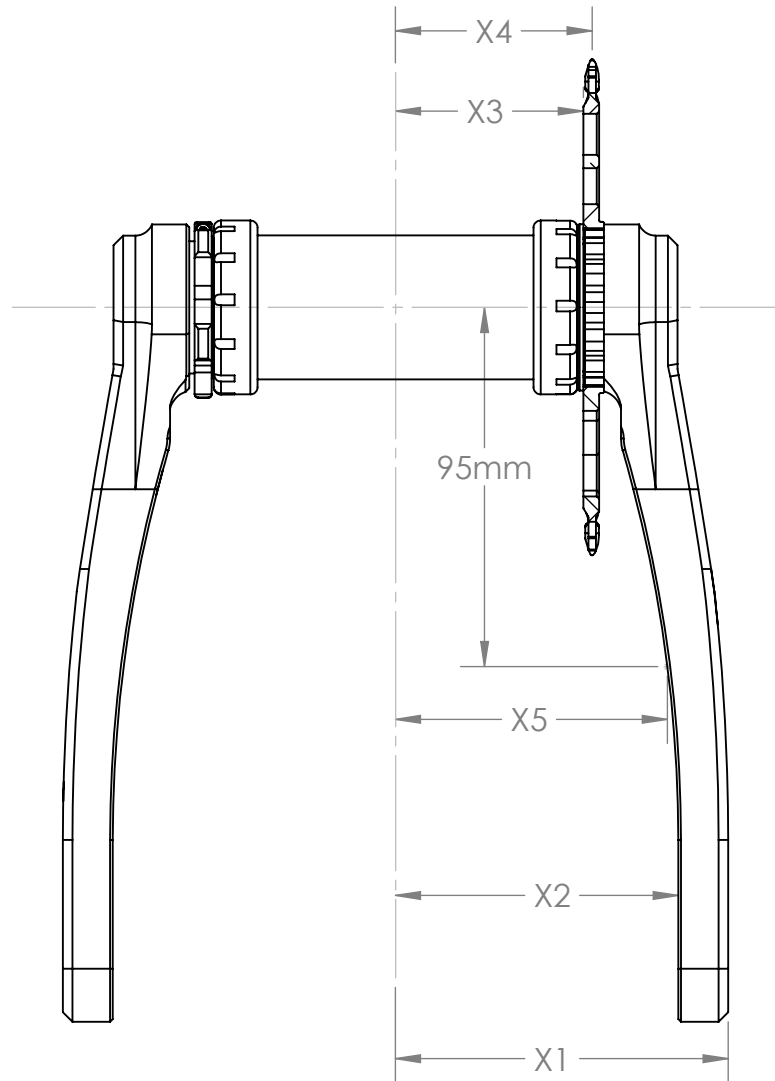


Inner	Y2
48	102.3mm
46	98.3mm
44	94.2mm
42	90.2mm
40	86.2mm
38	82.1mm
36	78.1mm
34	74mm
32	69.8mm
30	66mm
28	61.9mm

*Doesn't change with arm length

UNLESS OTHERWISE SPECIFIED: DIMENSIONS ARE IN INCHES TOLERANCES: ANGULAR: MACH ±.01 BEND ±.5 TWO PLACE DECIMAL ±.01 THREE PLACE DECIMAL ±.002 FOUR PLACE DECIMAL ±.0005	NAME	DATE	White Industries 1325 Ross St Petaluma CA 94954 Info@whiteind.com P:(707) 769-5600 F:(707) 769-5511	
	DRAWN			
	CHECKED			
	ENG APPR.			
	MFG APPR.			
INTERPRET GEOMETRIC TOLERANCING PER:	Q.A.		DWG. NO. MR30 Crank Assembly	
MATERIAL \$PRP:	COMMENTS:			REV 1
FINISH				
DO NOT SCALE DRAWING	SCALE: 1:2	WEIGHT:	SHEET 4 OF 6	

PROPRIETARY AND CONFIDENTIAL
 THE INFORMATION CONTAINED IN THIS DRAWING IS THE SOLE PROPERTY OF WHITE INDUSTRIES. ANY REPRODUCTION IN PART OR AS A WHOLE WITHOUT THE WRITTEN PERMISSION OF WHITE INDUSTRIES IS PROHIBITED.



	M30	G30	R30
X1	88mm	85.5mm	79.25mm
X2	74.8mm	72.3mm	66mm
X3	49.7mm	47.2mm	47.2mm
X4	52mm	49.5mm	49.5mm
X5	71.9mm	69.4mm	63.8mm

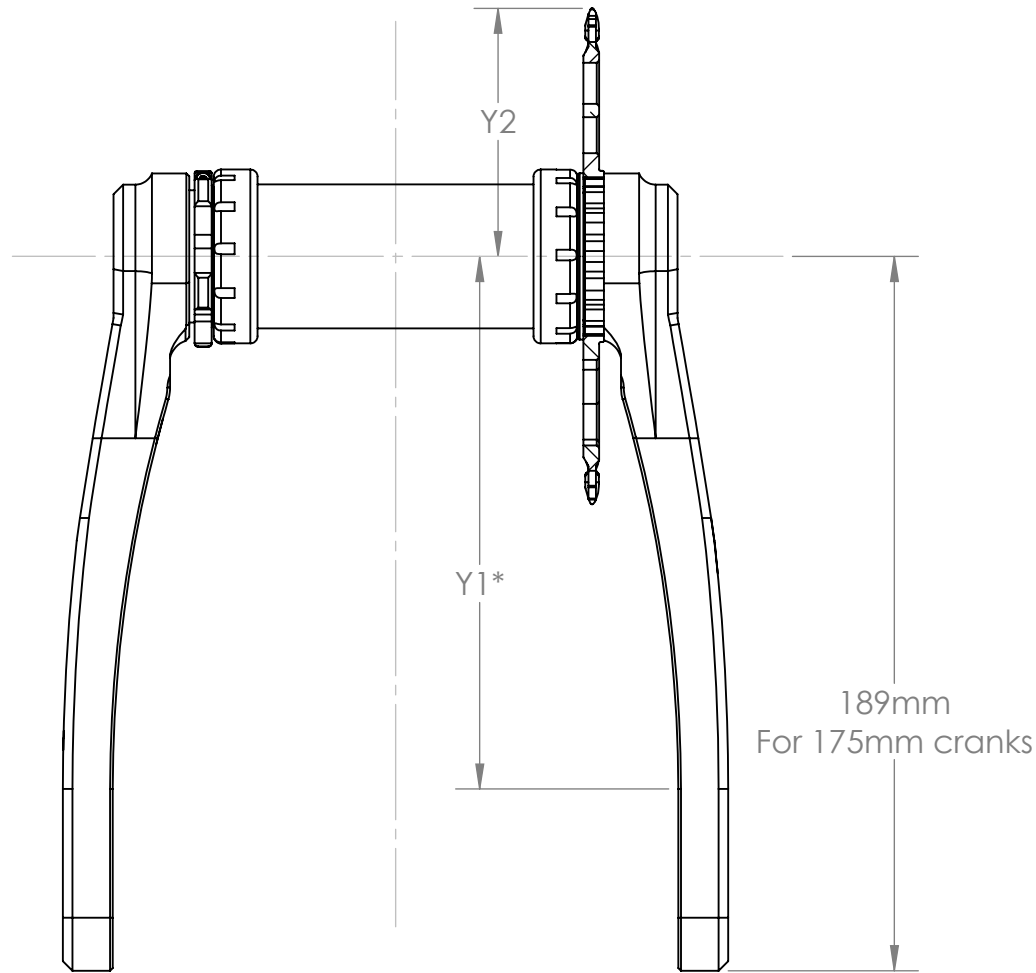
UNLESS OTHERWISE SPECIFIED:	NAME	DATE
DIMENSIONS ARE IN INCHES TOLERANCES: ANGULAR: MACH ±.01 BEND ±.5 TWO PLACE DECIMAL ±.01 THREE PLACE DECIMAL ±.002 FOUR PLACE DECIMAL ±.0005	DRAWN	
	CHECKED	
	ENG APPR.	
	MFG APPR.	
INTERPRET GEOMETRIC TOLERANCING PER:	Q.A.	
MATERIAL \$PRP:	COMMENTS:	
FINISH		
DO NOT SCALE DRAWING		

White Industries
 1325 Ross St Petaluma CA 94954
 Info@whiteind.com
 P:(707) 769-5600 F:(707) 769-5511

SIZE A	DWG. NO.	REV
	MR30 Crank Assembly	1
SCALE: 1:2	WEIGHT:	SHEET 5 OF 6

PROPRIETARY AND CONFIDENTIAL
 THE INFORMATION CONTAINED IN THIS DRAWING IS THE SOLE PROPERTY OF WHITE INDUSTRIES. ANY REPRODUCTION IN PART OR AS A WHOLE WITHOUT THE WRITTEN PERMISSION OF WHITE INDUSTRIES IS PROHIBITED.

	M30	G30	R30
Y1	140.9mm	140.9mm	140.9mm



Ring Size	Y2
48	102.3mm
46	98.3mm
44	94.2mm
42	90.2mm
40	86.2mm
38	82.1mm
36	78.1mm
34	74mm
32	69.8mm
30	66mm
28	61.9mm

*Doesn't change with arm length

PROPRIETARY AND CONFIDENTIAL
 THE INFORMATION CONTAINED IN THIS DRAWING IS THE SOLE PROPERTY OF WHITE INDUSTRIES. ANY REPRODUCTION IN PART OR AS A WHOLE WITHOUT THE WRITTEN PERMISSION OF WHITE INDUSTRIES IS PROHIBITED.

UNLESS OTHERWISE SPECIFIED:	NAME	DATE
DIMENSIONS ARE IN INCHES	DRAWN	
TOLERANCES:	CHECKED	
ANGULAR: MACH ±.01 BEND ±.5	ENG APPR.	
TWO PLACE DECIMAL ±.01	MFG APPR.	
THREE PLACE DECIMAL ±.002	Q.A.	
FOUR PLACE DECIMAL ±.0005	COMMENTS:	
INTERPRET GEOMETRIC TOLERANCING PER:		
MATERIAL		
\$PRP:		
FINISH		
DO NOT SCALE DRAWING		

White Industries
 1325 Ross St Petaluma CA 94954
 Info@whiteind.com
 P:(707) 769-5600 F:(707) 769-5511

SIZE A	DWG. NO. MR30 Crank Assembly	REV 1
SCALE: 1:2	WEIGHT:	SHEET 6 OF 6